



Industrial & Commercial Luminaire

INFINITY[®]



0361-1 Diamond Reflector

Adjustable Lamp Base



LVD Saturn Lamp



Features



0361-1
Exploded View

- Fixture can be mounted with loop hook or Meyers Hub
- Attractive aluminum alloy gear box with powder coating
- Adjustable lamp base, up to 30mm, for customized beam spreads suitable for different applications
- INFINITY lamps have optional E40 lamp base for ease of installation
- Pure aluminum reflector with vacuum plated metal and diamond-shaped reflector design improves reflective efficiency
- Optional tempered glass or polycarbonate lens

INFINITY Induction Lamps

0361 Series

Photometrics Options

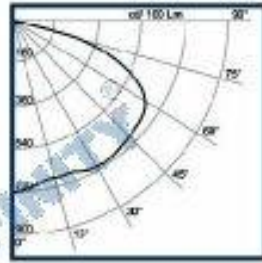
Adjustable Screw Base Socket



Low Base Position



Wide Beam Spread



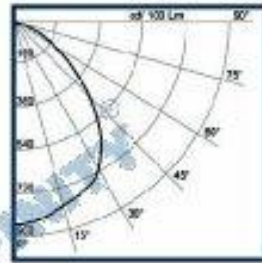
Wide Light Distribution



High Base Position

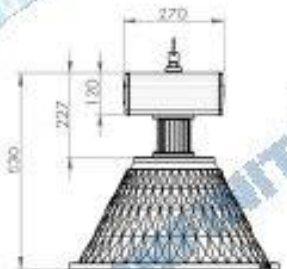


Narrow Beam Spread



Narrow Light Distribution

Dimensions



0361-1 Front View



0361-1 Side View

Reflector Options

Aluminum



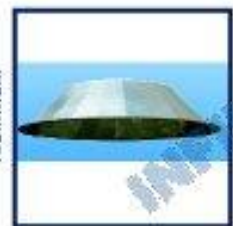
14" Φ 356x210mm, 40~120W
16" Φ 406x230mm, 80~150W
19" Φ 483x260mm, 120~200W
20" Φ 508x280mm, 120~300W
Lens Optional

Polycarbonate



12" Φ 290x210mm, 40~80W
16" Φ 410x280mm, 120~150W
19" Φ 490x335mm, 120~200W
22" Φ 570x350mm, 200~300W
Lens Optional

Aluminum



24" Φ 621x144mm
200~300W
Only available in fixed lamp position

Aluminum



19" Φ 440x240mm
120~200W

Aluminum



19" Φ 480x300mm
120~200W

Aluminum



19" Φ 440x240mm, 120~150W
Tempered Glass or Glass Lens Optional

Lamp Installation



1 Attach wires to screw base



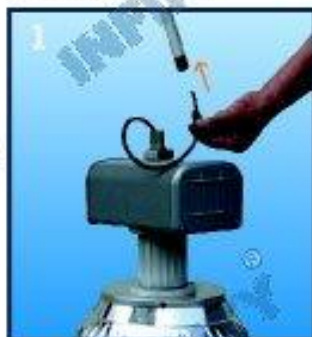
2 Screw on cap



3 Screw into fixture socket

Mounting Instructions

Meyers Hub



1 Thread wire through conduit



2 Attach conduit to Meyers Hub



3 Screw securely together

Hook Mount

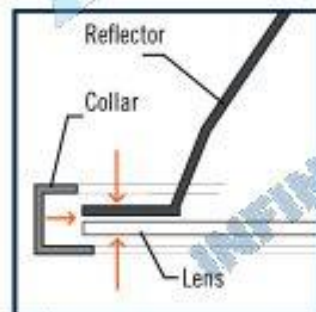


1 Place hook through loop



2 Pull slack and secure hook

Lens Install



Wrap collar over rim and lens then tighten



INFINITY®



PT. ARKAN BOGOR



UNILEVER SURABAYA



PT. MAYORA



FEDEX



COCACOLA BANDUNG



ASTRA INTERNASIONAL

Ordering Information

Choose the options below the criteria that best suit your needs and write them above the corresponding criteria.

0361 Series Code	INFINITY-CF01 Model	Reflector	Size	Wattage	Voltage	Mounting	Lens
0361-?-INFINITY-CF01 Order Number		1	12"	40W	120V AC	Hook	Polycarbonate
		2	14"	80W	220V AC	Meyers Hub	Tempered Glass
		3	16"	120W	277V AC		
		4	19"	150W	12V DC	Glass	
		5	20"	200W	24V DC		
		6	22"	300W			

www.infinity-lvd.com

Didistribusikan Oleh :

